

Bon Voyage Cross Body

artgalleryfabrics.com



Featuring

Chérie

Collection
by Frances Newcombe



Fabric Requirements

Fabric A	CHE-8800	1/4 yd.
Fabric B	CHE-8806	1/8 yd.
Fabric C	PE-451	3/8 yd.



CHE-8800
Bon Voyage Lumiere



CHE-8806
Tree Fleur Sombre



PE-451
Icy Mint

Materials Needed

- 40" Long trim for strap
- Small sew on snaps
- Light weight batting

CUTTING DIRECTIONS

- Cut Two (2) 6" x 10" rectangles from fabric A
- Cut One (1) 6" x 10" rectangle from fabric C
- Cut One (1) lining pattern piece from fabric C
- Cut One (1) flap pattern piece from fabric B
- Cut One (1) lining pattern piece from light weight batting.
- Cut One (1) 6" x 10" rectangle from light weight batting.

BAG CONSTRUCTION

Sew all rights sides together with 1/4" seam allowance.

- Sew flap and two rectangles from fabric A together with right sides facing each other.

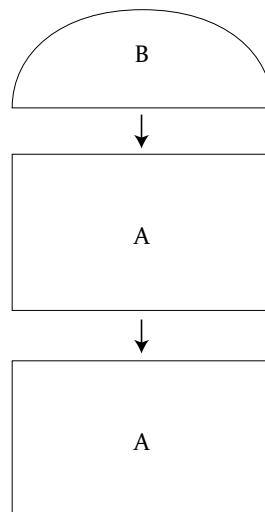
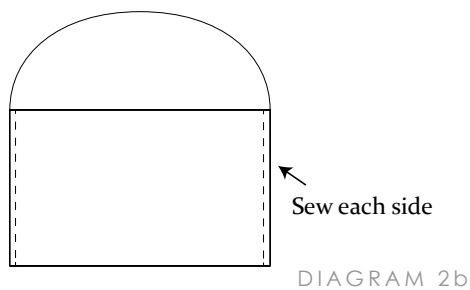
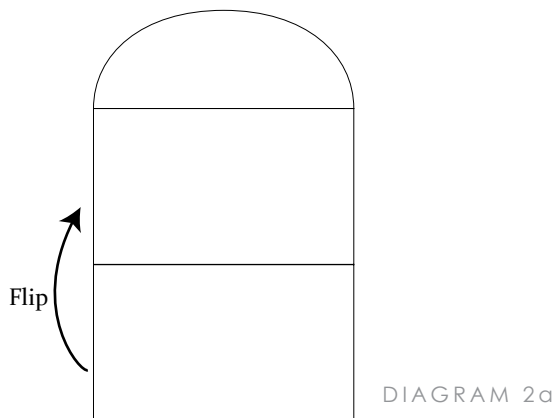


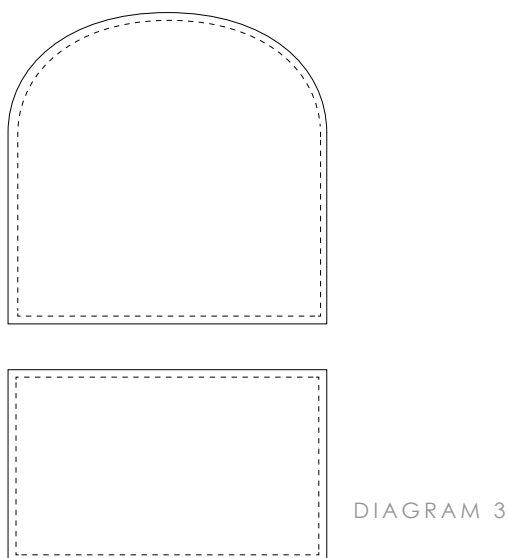
DIAGRAM 1



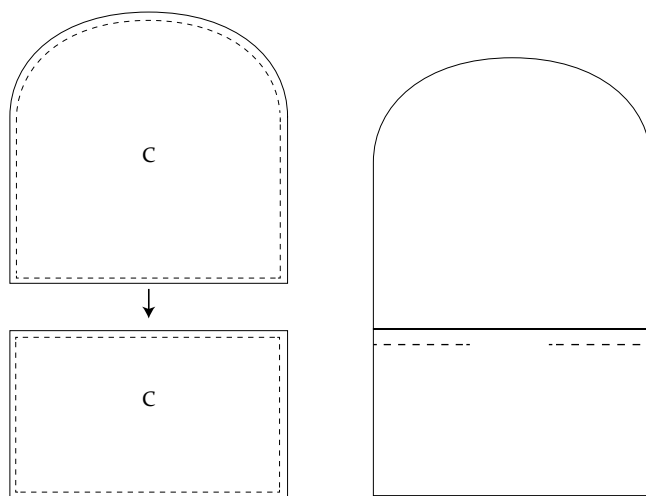
- Flip bottom rectangle up and sew each side according to diagram 2b. (Right sides together)



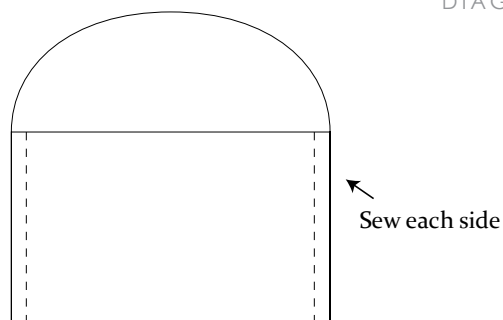
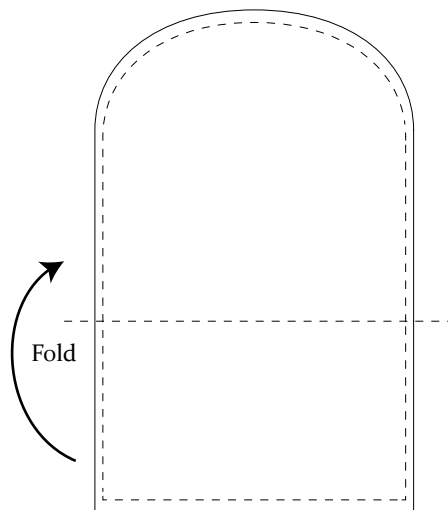
- Sew batting piece to lining pattern from fabric C and to 6" x 10" rectangle lining piece from fabric C all the way around, sewing as close to the edge of the piece as you can.



- Sew lining pieces together, right sides facing each other, leave a small 2 1/2" hole .



- Fold on seam line with right sides together and sew each side.



- Tuck the exterior of the bag into the lining, with right sides facing each other. (Diagram 6a)
- Sandwich one end of strap between lining and exterior of the bag at side seam. Repeat with other end of strap. Pin lining and exterior of bag right sides together matching up side seams.
- Sew all the way around. (Diagram 6b)

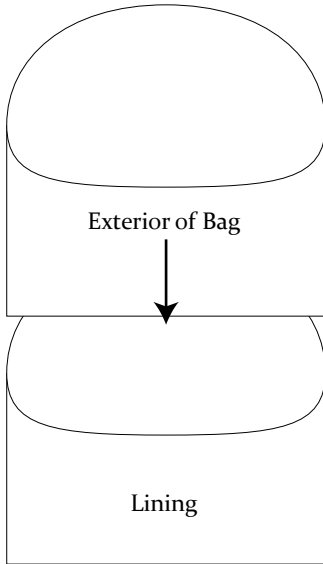


DIAGRAM 6a

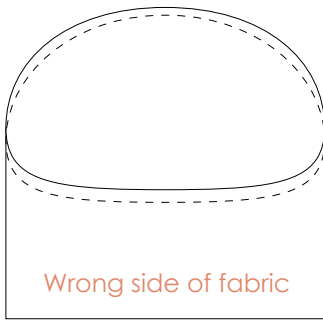
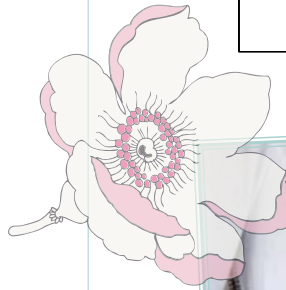
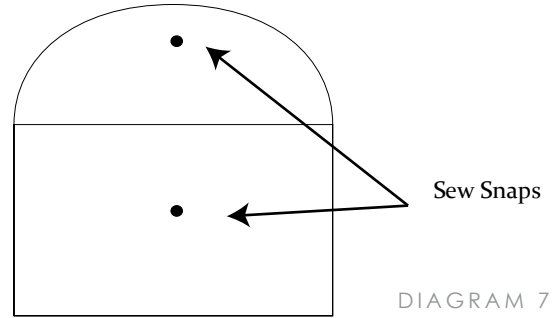


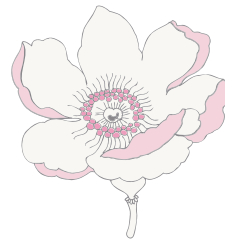
DIAGRAM 6b

- Pull exterior of the bag out through the 2 1/2" hole at the bottom of the lining.

- Hand stitch hole on lining closed using a blind stitch.
- Hand stitch snaps to bag, sew one snap on the inside flap and the other on the outside of the bag, make sure snaps line up when closed.



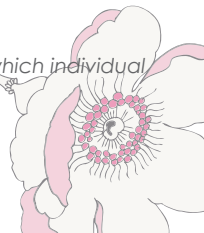
enjoy!



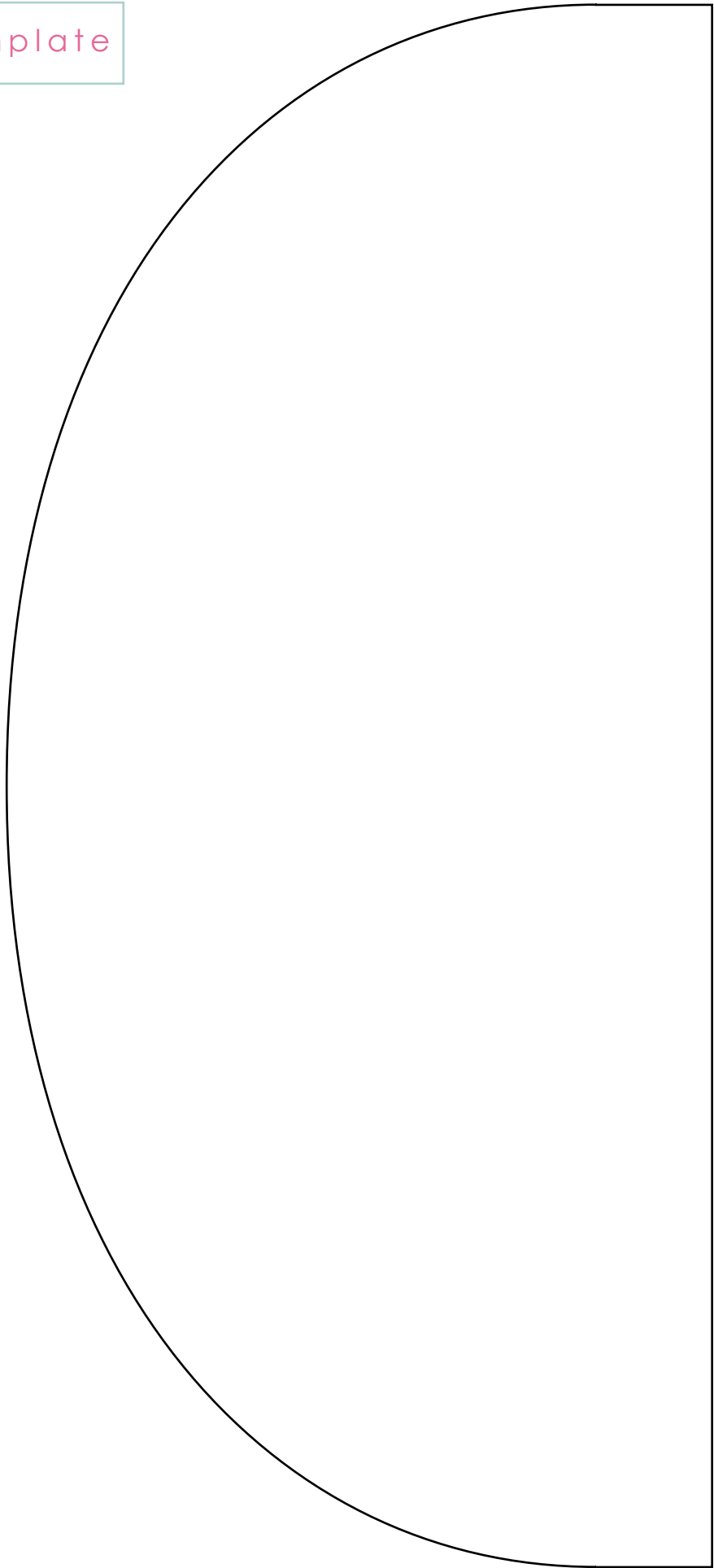
Feel the difference
For more free patterns visit:
artgalleryfabrics.com

NOTE: While all possible care has been taken to ensure the accuracy of this pattern, we are not responsible for printing errors or the way in which individual work varies. Please read instructions carefully before starting the construction of this quilt. If desired, wash and iron your fabrics before starting to cut.

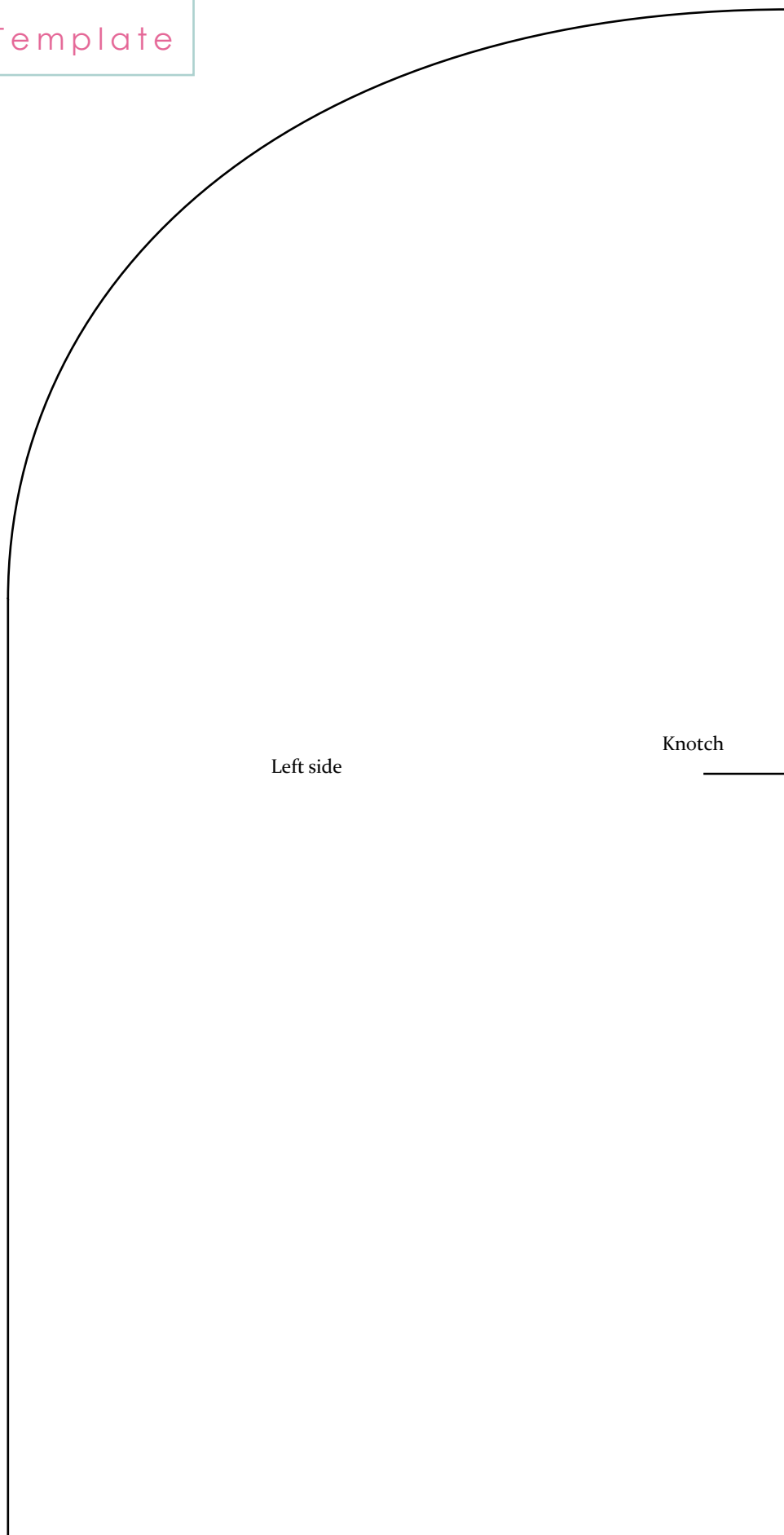
© 2014 Courtesy of Art Gallery Quilts LLC. All Rights Reserved.



Flap Template



Lining Template

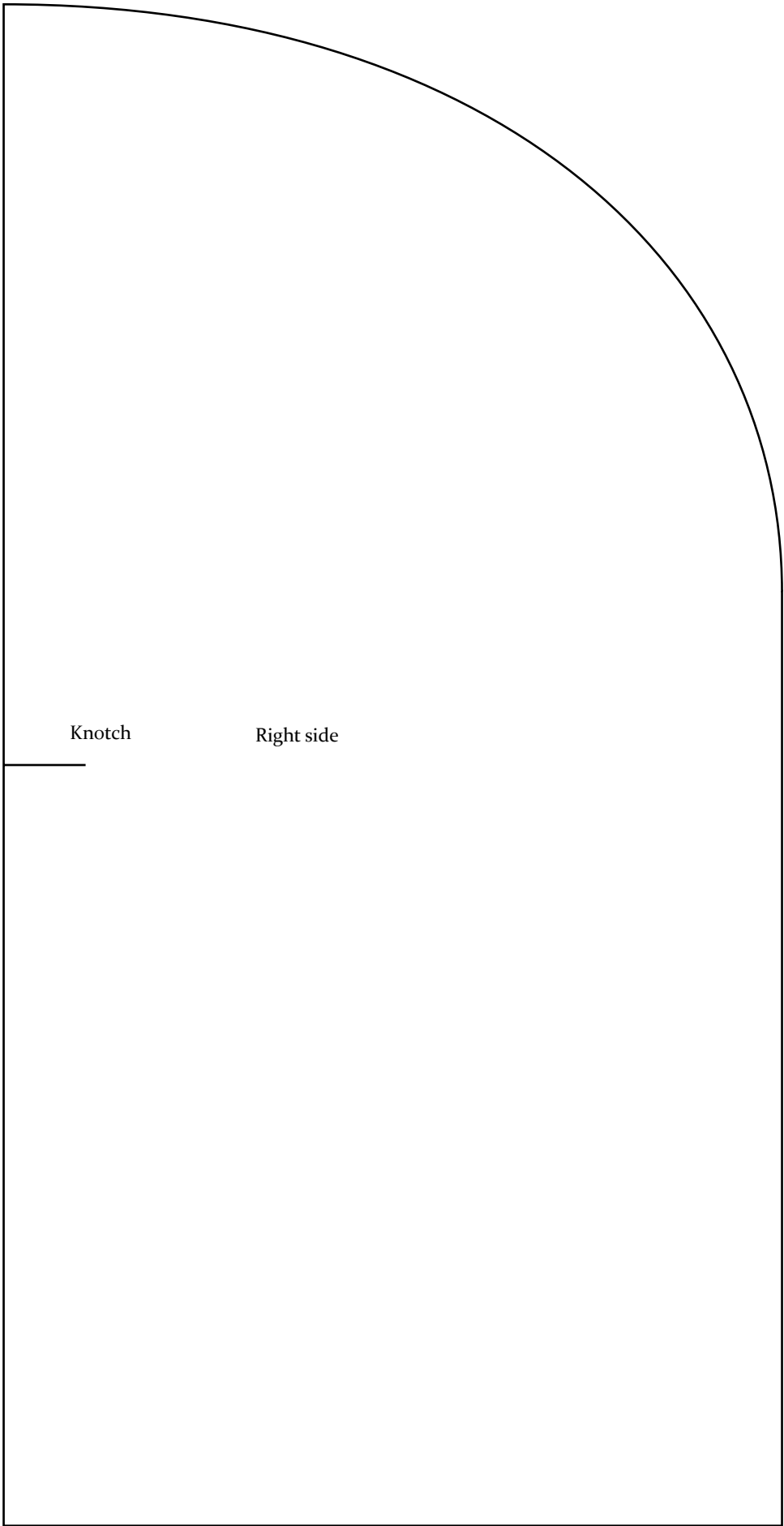


Left side

Knotch

Cut out both lining templates, match up knotches and tape.

Lining Template



Cut out both lining templates, match up knotches and tape.